
Technical Data Sheet

5mm Piraha White Led

Features

- **High luminous power.**
- **Typical chromaticity coordinates $x=0.38,0.38$ according to CIE1391.**
- **ESD-withstand voltage:up to 4Kv.**
- **The product itself will remain with ROHS compliant version.**

Descriptions

- **The series is designed for application required high luminous intensity.**
- **The phosphor filled in the reflector converts the blue emission of InGaN chip to ideal white.**

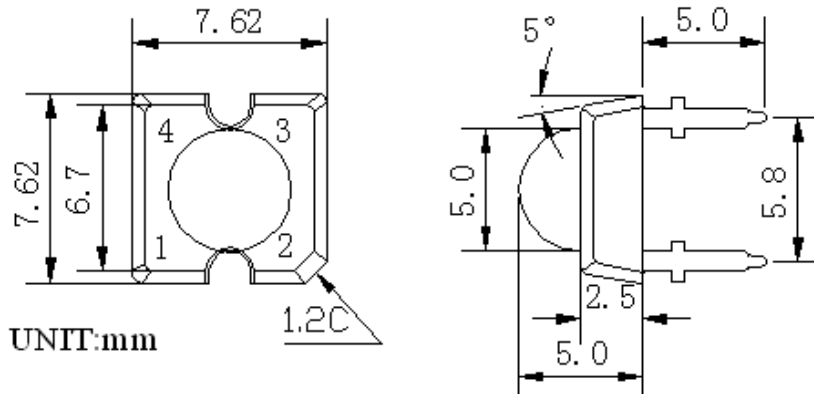
Applications

- **Message Panels.**
- **Optical Indicators.**
- **Backlighting.**
- **Marker lights.**
- **Indoor Lighting.**
- **Commercial art.**

Device Selection Guide

LED Part NO.	Product Chip	Lens color
W1005UC	ES 12*12mil	Water Clear

Package Dimensions



Notes:1.All dimensions are in millimeters.

2.Tolerances unless dimensions ± 0.25 mm.

Absolute Maximum Ratings($T_a=25^\circ\text{C}$)

Parameter	Symbol	Rating	Units
Continumous Forward Current	If	100	mA
Peak Forward Current	Ifp	1.0	A
Reverse Voltage	Vr	5	V

Operating Temperature	Topr	-40 to +85	°C
Storage Temperature	Tstg	-40 to +85	°C
Soldering Temperature	Tsol	260	°C
Power Dissipation at(or below) 25°C Free Air Temperature	Pd	150	mW

Notes:1.If Conditions – Pulse width \cong 100us and Duty \cong 1%.

2. Soldering time \cong 5 seconds.

Electro-Optical Characteristics(Ta=25°C)

Parameter	Symbol	Condition	Min	Typ	Max	Units
Forward Voltage	Vf	If=20mA	2.8	3.2	3.6	v
Zener Reverse Voltage	Vz	Iz=5mA	5.2	--	--	v
Reverse Current	Ir	Vr=5V	--	--	50	nm
Luminous Intensity	Iv	If=20mA	2000	2800	3500	mcd
Chromaticity Coordinates	X	If=20mA	--	0.38	--	
	Y		--	0.39	--	
View Angle	201/2	If=20mA	--	90	--	deg

Packing Quantity Specification

1.500pcs/1Bag.

2.20Bags/Small Box;50Bags/Big Box.

Label Form Specification

CPN:Customer'Production Numb.

P/N:Production Numbed.

CAT:Ranks.

HUE:Peak wavelength.

REF:Refernce.

LOT No:Lot Number.

MADE IN China:Production Place.

Notes

- 1. Above specification may be changed without notice.GELED will reserve authority on material change for above specification.**
- 2. When using this product,please abserve the absolute maximum ratings and the instructions for using outlined in these specification sheets.GELED assumes no responsibility for any damage resulting from use of the product which does not comply with the absolute maximum ratings and the instructions**

included in these specification sheets.

- 3. These specification sheets include materials protected under copyright of GELED corporation. Please don't reproduce or cause anyone to reproduce them without GELED's consent.**