

---

## Technical Data Sheet

### 5mm Piraha White Led

#### Features

- **High luminous power.**
- **Typical chromaticity coordinates  $x=0.38,0.38$  according to CIE1391.**
- **ESD-withstand voltage:up to 4Kv.**
- **The product itself will remain with ROHS compliant version.**

#### Descriptions

- **The series is designed for application required high luminous intensity.**
- **The phosphor filled in the reflector converts the blue emission of InGaN chip to ideal white.**

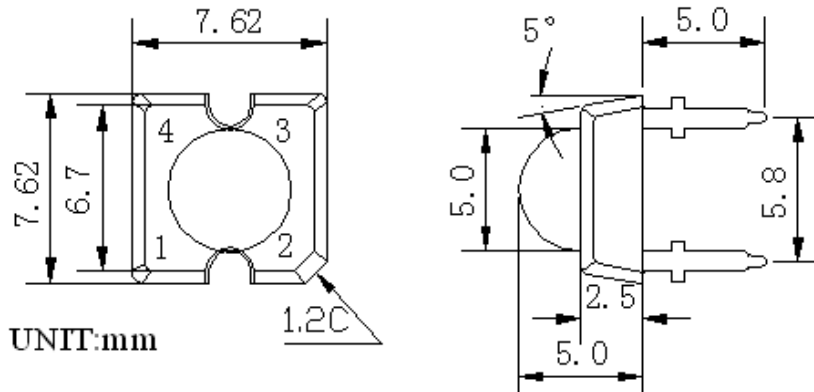
#### Applications

- **Message Panels.**
- **Optical Indicators.**
- **Backlighting.**
- **Marker lights.**
- **Indoor Lighting.**
- **Commercial art.**

## Device Selection Guide

LED Part NO.	Product Chip	Lens color
W1014UC	ES 15*15mil	Water Clear

## Package Dimensions



**Notes:1.All dimensions are in millimeters.**

**2.Tolerances unless dimensions  $\pm 0.25\text{mm}$ .**

## Absolute Maximum Ratings( $T_a=25^\circ\text{C}$ )

Parameter	Symbol	Rating	Units
Continuous Forward Current	If	100	mA
Peak Forward Current	Ifp	1.0	A
Reverse Voltage	Vr	5	V

<b>Operating Temperature</b>	<b>Topr</b>	<b>-40 to +85</b>	<b>°C</b>
<b>Storage Temperature</b>	<b>Tstg</b>	<b>-40 to +85</b>	<b>°C</b>
<b>Soldering Temperature</b>	<b>Tsol</b>	<b>260</b>	<b>°C</b>
<b>Power Dissipation at(or below) 25°C Free Air Temperature</b>	<b>Pd</b>	<b>150</b>	<b>mW</b>

**Notes:1.If Conditions – Pulse width  $\cong$  100us and Duty  $\cong$  1%.**

**2. Soldering time  $\cong$  5 seconds.**

#### **Electro-Optical Characteristics(Ta=25°C)**

<b>Parameter</b>	<b>Symbol</b>	<b>Condition</b>	<b>Min</b>	<b>Typ</b>	<b>Max</b>	<b>Units</b>
<b>Forward Voltage</b>	<b>Vf</b>	<b>If=20mA</b>	<b>2.8</b>	<b>3.2</b>	<b>3.6</b>	<b>v</b>
<b>Zener Reverse Voltage</b>	<b>Vz</b>	<b>Iz=5mA</b>	<b>5.2</b>	<b>--</b>	<b>--</b>	<b>v</b>
<b>Reverse Current</b>	<b>Ir</b>	<b>Vr=5V</b>	<b>--</b>	<b>--</b>	<b>50</b>	<b>nm</b>
<b>Luminous Intensity</b>	<b>Iv</b>	<b>If=20mA</b>	<b>2500</b>	<b>2800</b>	<b>3500</b>	<b>mcd</b>
<b>Chromaticity Coordinates</b>	<b>X</b>	<b>If=20mA</b>	<b>--</b>	<b>0.30</b>	<b>--</b>	
	<b>Y</b>		<b>--</b>	<b>0.29</b>	<b>--</b>	
<b>View Angle</b>	<b>201/2</b>	<b>If=20mA</b>	<b>--</b>	<b>90</b>	<b>--</b>	<b>deg</b>

#### **Packing Quantity Specification**

---

**1.500pcs/1Bag.**

**2.20Bags/Small Box;50Bags/Big Box.**

**Label Form Specification**

**CPN:Customer'Production Numb.**

**P/N:Production Numbed.**

**CAT:Ranks.**

**HUE:Peak wavelength.**

**REF:Refernce.**

**LOT No:Lot Number.**

**MADE IN China:Production Place.**

**Notes**

- 1. Above specification may be changed without notice.GELED will reserve authority on material change for above specification.**
- 2. When using this product,please abserve the absolute maximum ratings and the instructions for using outlined in these specification sheets.GELED assumes no responsibility for any damage resulting from use of the product which does not comply with the absolute maximum ratings and the instructions**

---

**included in these specification sheets.**

- 3. These specification sheets include materials protected under copyright of GELED corporation. Please don't reproduce or cause anyone to reproduce them without GELED's consent.**